

Skydisc™ IP65 Range

Installation guide for LED commercial downlights



Important information

- It is recommended that luminaires are installed by a qualified electrician to ensure the installation complies with the local current wiring regulations.
- Any broken or damaged parts should be replaced as soon as possible. JCC will not accept responsibility for claims arising from sub-standard installations.
- This product is for indoor use only and should not be covered by any insulated material.
- The light source of this luminaire is not replaceable: When the light source reaches the end of its life, the whole of the luminaire must be replaced.
- It may be necessary to upgrade your MCBs to allow for increased inrush current.

INSTALLATION

ENGLISH

- Read instructions and check that you have all of the tools and accessories required to complete the installation correctly. Isolate power supply before starting the installation.

Installation procedure

- Cut the mounting hole in the ceiling Refer to Fig.1. (JCC recommends that a sample hole is cut in a section of spare material to familiarize yourself with the process).
- Ensure there is a minimum of 75mm space around the fitting. **DO NOT COVER** the fitting with insulation as indicated by this symbol on the luminaire.
- Connect the mains supply to the Luminaire driver as per Fig.2.
- Turn on the power supply to test the fitting. Once satisfied that the luminaire is functioning correctly, press the spring clips against the side of the luminaire and fit into the aperture.



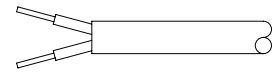
Figure 2.

Electrical connection

220-240V~ 50/60Hz / Class II

LIVE = BROWN

NEUTRAL = BLUE



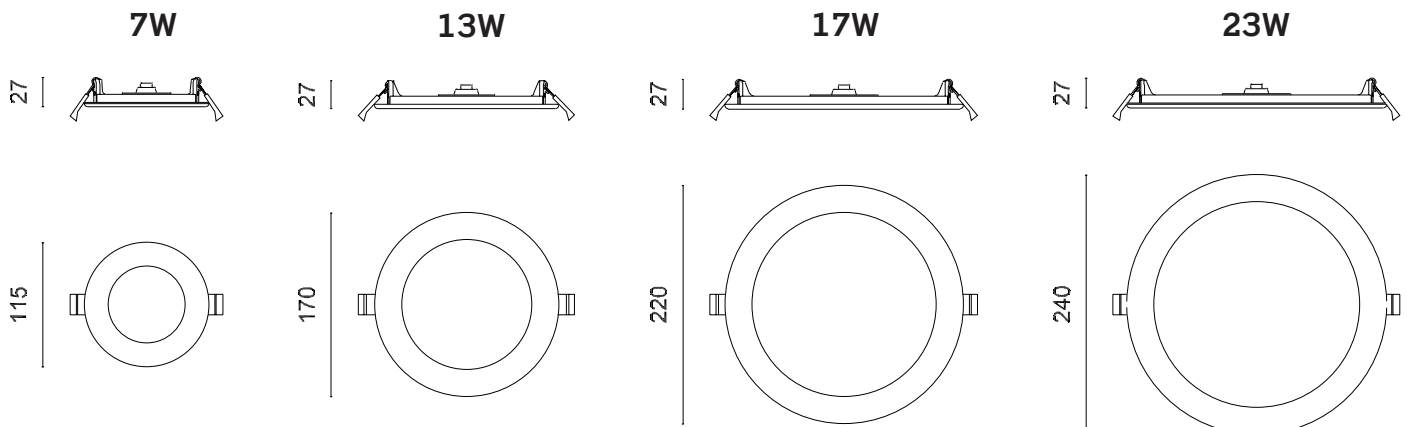
Double insulated- no earth required

Figure 1.

Skydisc™Plus	Driver output VDC	Cut out size
7W	57.75-63 VDC	Ø100mm-110mm
13W	50.4-59.4VDC	Ø150mm-160mm
17W	67.2-79.2VDC	Ø200mm-210mm
23W	75.6-89.1VDC	Ø 220mm-230mm

Code	Wattage	Colour Temperature	Lumens	LpcW
JC72501	7W	4000K	650	93
JC72502	13W	4000K	1300	100
JC72503	17W	4000K	1700	100
JC72504	23W	4000K	2100	91
JC72505	7W	4700K	650	93
JC72506	13W	4700K	1300	100
JC72507	17W	4700K	1700	100
JC72508	23W	4700K	2100	91

Profile & Dimensions



All dimensions in millimetres