

LED Lantern Range

Installation Guide for LED Lanterns

Important Information

- It is recommended that luminaires are installed by a qualified electrician to ensure the installation complies with the local current wiring regulations.
- Any broken or damaged parts should be replaced as soon as possible. JCC will not accept responsibility for claims arising from sub-standard installations.
- The light source of this luminaire is not replaceable: When the light source reaches the end its life, the whole of the luminaire must be replaced.

INSTALLATION

ENGLISH

- Read instructions and check that you have all of the tools and accessories required to complete the installation correctly.
- Isolate power supply before starting the installation.
- This fitting should not be fitted to wet or damp surfaces.
- There are no serviceable parts and the removal of the canopy is not required for installation.

Specifications

Total Circuit Wattage: 7.5W
Lumen Output: 270lm
CCT: 4000K
Ra: 83
Body Material: Aluminium
Diffuser Material: Clear Polycarbonate
Ingress Protection: IP44

Installation Instructions

1. Use the base as a template for locating the mounting holes.
2. Wire up the mains input as per Figure 1 (below).
3. Affix lantern to mounting surface.
4. Turn on mains supply and check for operation.

JCC Code	Description
JC39431	Wall Lantern with Bottom Arm
JC39432	Wall Lantern with Bottom Arm + PIR
JC39433	Wall Lantern with Top Arm
JC39434	Post Lantern

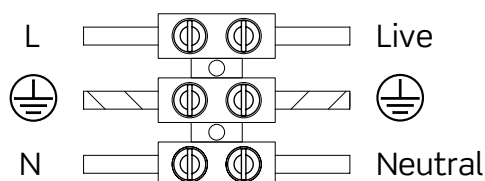
PIR Specification

Time Delay: 10sec - 8min.
Ambient Light: 3Lux - 2000Lux
Detection Distance: 8m
Detection Range: 110°
Installation Height: 2.5m
Power Consumption: 0.5W
Detection Motion Speed: 0.6 ~ 1.5m/s

- The on time delay is adjustable from between 10 seconds to 8 minutes, depending on your requirements.
- So that the luminaire can be activated by different light levels the sensitivity of the PIR can be adjusted so that it will operate between 3 to 2000Lux.

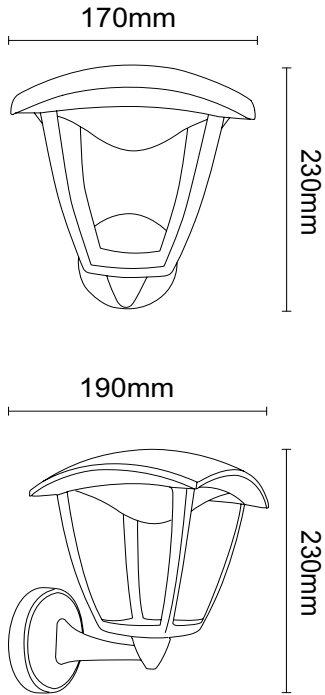
220-240V 50/60Hz / Class I

Figure 1.

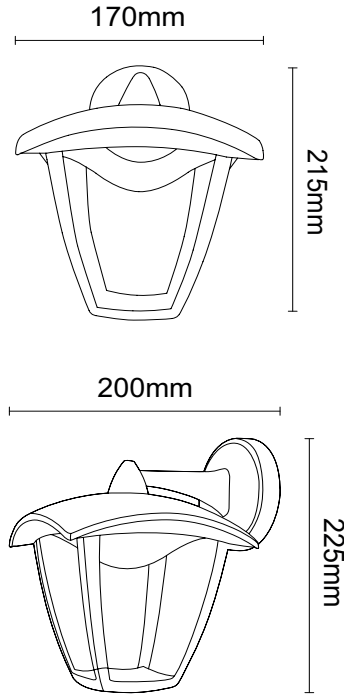


Profile & Dimensions

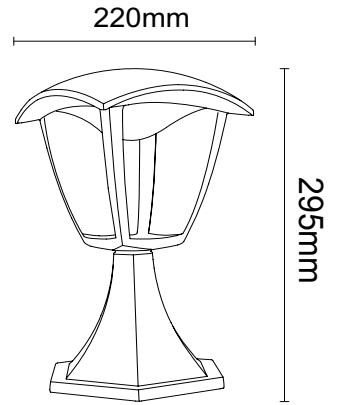
JC39431 &
JC39432



JC39433



JC39434



All dimensions in millimetres

CE RoHS Compliant IP44 **jcc.co.uk**

JCC Lighting Products Ltd., Innovation Centre, Beeding Close, Southern Cross Trading Estate, Bognor Regis, West Sussex, PO22 9TS, United Kingdom

Technical Support: +44(0)1243 838986 Customer Services: +44(0)1243 838999