

## JC45202WH 20W LED Floodlight IP65 Alu 4000K White



### Features & Benefits

- Highly efficient at 105 Lumens per circuit Watt
- Angled bracket for easy installation
- Driverless technology
- Supplied pre-wired with 800mm flex
- Available in black and white colour variants

### General Information

<b>Product Group</b>	Floodlight
<b>Product Range</b>	Domestic Exterior
<b>Light Source</b>	LED
<b>Light Source Features</b>	Neutral White
<b>Lighting Product Type</b>	Wall Light
<b>Product Shape</b>	Rectangular
<b>Mounting</b>	Wall
<b>Product Weight</b>	0.58kg
<b>Color Finish</b>	White
<b>Overall Dimensions</b>	184.2 x 28.3 x 141.1
<b>Recommended Product Location</b>	Exterior, general security lighting
<b>Method Of Fix</b>	Mounting Bracket with suitable fixings (not supplied)

#### JCC Lighting

Innovation Centre, Beeding Close, Southern Cross  
Trading Estate, Bognor Regis, West Sussex, PO22 9TS  
Company Registration Number: 03044848 | VAT Number: 918544112

T: 01243 838999 | F: 01243 838998 | sales@jcc.co.uk | www.jcc.co.uk

<b>IP Rating</b>	IP65
<b>Environment</b>	Outdoor
<b>Origin Of Manufacture</b>	China
<b>Warranty</b>	2 years standard warranty extends to 3 years when registered within the first year of purchase (See Website for terms and conditions)
<b>Driver Manufacturer</b>	No driver, mains LED Chips
<b>LED Manufacturer/Type</b>	Optoelectronics 2835

## Electrical

<b>A Cable</b>	Yes
<b>Voltage Rating</b>	220-240
<b>Primary Running Current</b>	0.1~0.13A
<b>Operating Frequency (Hz)</b>	50Hz
<b>Luminaire Circuit Wattage</b>	20W
<b>Class</b>	Class I
<b>Total Harmonic Distortion (THD)%</b>	1.795
<b>EMC Compliant (EN55015)</b>	Yes
<b>Power Factor Correction</b>	0.5

## Thermals

<b>Room Ambient Temperature Not To Exceed</b>	45°C
<b>Operating Temperature Range</b>	-20°C to 40°C

## Performance Data

<b>Energy Rating</b>	A+
<b>Actual Lumen Output</b>	2100
<b>Lumens Per Circuit Watt</b>	105
<b>Standard Deviation Colour Matching - SDCM</b>	<6
<b>Lamp Life (Hours)</b>	36000
<b>LED Life (Hours) (L70)</b>	47000

Hours life stated is an indication of expected L70 chip and light output calculations when operating in optimum conditions. Product warranty period supports the full product during the term given. The L70 hours expectancy is not correlated with the full product warranty term, nor is it a representation of lumen depreciation during the warranty period.

<b>Color Rendering Index</b>	50-79
<b>CRI: Ra</b>	70
<b>Correlated Color Temperature</b>	4000K
<b>Light Distribution Detail</b>	110-degree
<b>Photometry Available</b>	Yes

## Construction

### JCC Lighting

Innovation Centre, Beeding Close, Southern Cross  
Trading Estate, Bognor Regis, West Sussex, PO22 9TS  
Company Registration Number: 03044848 | VAT Number: 918544112

T: 01243 838999 | F: 01243 838998 | sales@jcc.co.uk | www.jcc.co.uk

---

<b>Primary Material</b>	Aluminum
<b>Diffuser</b>	Polycarbonate
<b>Inner Diffuser</b>	Toughened Glass

---

## Packaging

---

<b>Luminaire Carton Dimensions</b>	19.5 x 3.5 x 17
<b>Quantity Per Outer Carton</b>	40
<b>Bar Code EAN Number</b>	5052544079894
<b>Packaged Weight</b>	0.65kg

---

## Standards & Approvals

---

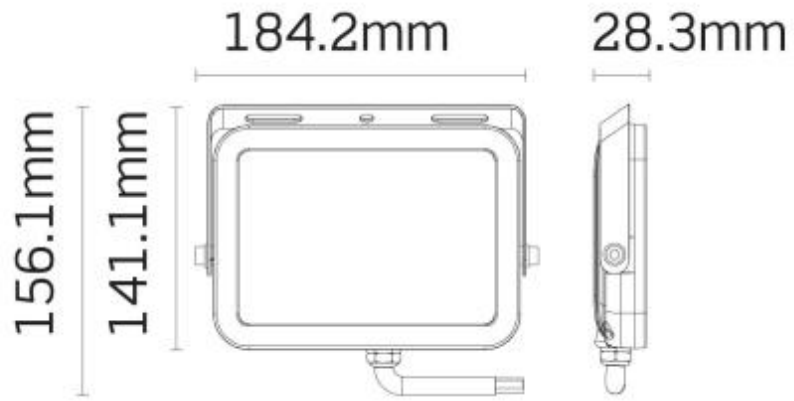
<b>Listings</b>	CE
<b>Listings</b>	Damp Location
<b>Listings</b>	RoHS
<b>Manufactured In Accordance To</b>	BS EN 60598-2015,2-1,2-5
<b>CE Marked</b>	Yes
<b>Batch Coded</b>	Yes
<b>WEEE Symbol</b>	Yes
<b>Certificate Of Conformity</b>	Yes, available on request
<b>Accredited Members</b>	LIA, ISO9001:2015, ISO14001:2015

---

---

### JCC Lighting

Innovation Centre, Beeding Close, Southern Cross  
Trading Estate, Bognor Regis, West Sussex, PO22 9TS  
Company Registration Number: 03044848 | VAT Number: 918544112  
T: 01243 838999 | F: 01243 838998 | sales@jcc.co.uk | www.jcc.co.uk



---

**JCC Lighting**

Innovation Centre, Beeding Close, Southern Cross  
Trading Estate, Bognor Regis, West Sussex, PO22 9TS  
Company Registration Number: 03044848 | VAT Number: 918544112  
T: 01243 838999 | F: 01243 838998 | sales@jcc.co.uk | www.jcc.co.uk