

JC37001BLK

Marquis Mains IP23 6" Sign Backlighter Halogen ES 42W Black



General Information

Product Group	Halogen
Product Range	Marquis Sign Lights
Trade Name	Marquis
Lighting Product Type	Wall Light
Mounting	Wall
Product Weight	0.46kg
Color Finish	Black
Overall Dimensions	300 x 360 x 160mm
Recommended Product Location	Indoor or outdoor use (never install with open side of hood facing up)
Method Of Fix	Screw Fix (Supplied)
IP Rating	IP23

JCC Lighting

Innovation Centre, Beeding Close, Southern Cross
 Trading Estate, Bognor Regis, West Sussex, PO22 9TS
 Company Registration Number: 03044848 | VAT Number: 918544112
 T: 01243 838999 | F: 01243 838998 | sales@jcc.co.uk | www.jcc.co.uk

Environment	Outdoor
Lamp Supplied	no (Halogen 42W (GLS))
Guarantee	2 year guarantee

Electrical

Voltage Rating	220-240
Primary Running Current	0.25mps
Operating Frequency (Hz)	50/60Hz
Luminaire Circuit Wattage	42W Max
Class	Class I
Input Electrical Connections	3 core flying lead

Thermals

Room Ambient Temperature Not To Exceed	25°C
---	------

Performance Data

Energy Rating	This luminaire is compatible with bulbs of the energy class A+ to E
----------------------	---

Construction

Primary Material	Steel
-------------------------	-------

Packaging

Luminaire Carton Dimensions	280 x 180 x 415mm
Quantity Per Outer Carton	8
Bar Code EAN Number	5052544010767
Packaged Weight	1.3kg

Standards & Approvals

Listings	CE
Manufactured In Accordance To	BS EN 60598-2-1

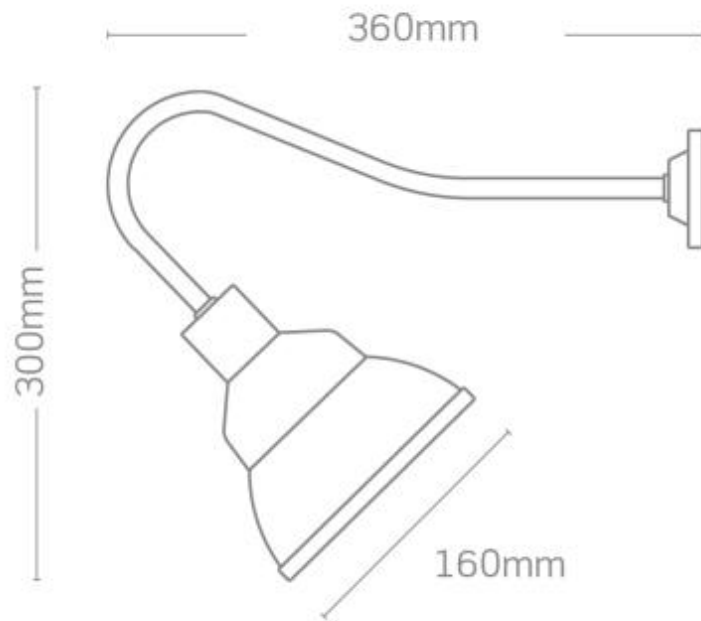
JCC Lighting

Innovation Centre, Beeding Close, Southern Cross
Trading Estate, Bognor Regis, West Sussex, PO22 9TS
Company Registration Number: 03044848 | VAT Number: 918544112
T: 01243 838999 | F: 01243 838998 | sales@jcc.co.uk | www.jcc.co.uk

CE Marked	yes
Batch Coded	yes
Certificate Of Conformity	yes, available on request
Accredited Members	LIA, ISO9001:2015, ISO14001:2015

JCC Lighting

Innovation Centre, Beeding Close, Southern Cross
Trading Estate, Bognor Regis, West Sussex, PO22 9TS
Company Registration Number: 03044848 | VAT Number: 918544112
T: 01243 838999 | F: 01243 838998 | sales@jcc.co.uk | www.jcc.co.uk



JCC Lighting

Innovation Centre, Beeding Close, Southern Cross
Trading Estate, Bognor Regis, West Sussex, PO22 9TS
Company Registration Number: 03044848 | VAT Number: 918544112
T: 01243 838999 | F: 01243 838998 | sales@jcc.co.uk | www.jcc.co.uk