



TRADELED

Floodlight



30W SMD LED Floodlight

Models FL30MBPWSMD / FL30MBWWSMD

Ideal for illuminating signage, billboards and buildings, the 30W SMD LED Floodlight is a supreme quality, energy-efficient lighting solution with an output in excess of 3600 Lumens. It is suitable for outdoor use thanks to the IP65 waterproof case and with a lifespan of up to 50,000 hours, maintenance is a thing of the past. The internal Mean Well power supply protects the Bridgelux LEDs from power surges.

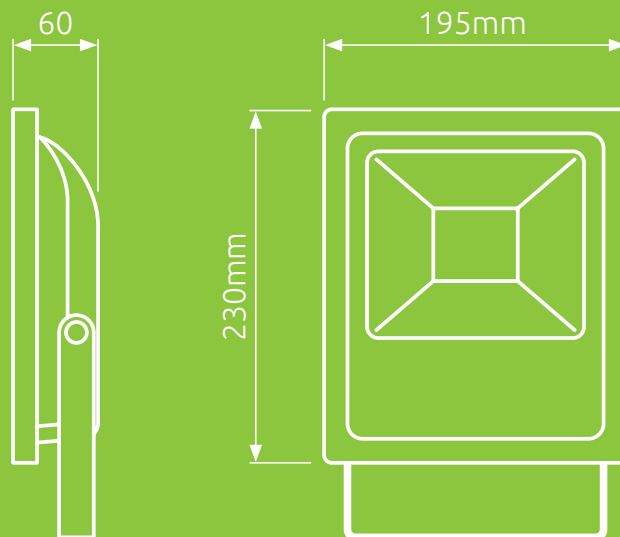
IP65 Waterproof
Bridgelux SMD LEDs
3600 Lumens Output
Up to 80% Power Saving
2 Year Warranty*



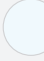

* Faulty units will be replaced under warranty, providing they are returned.
The warranty does not cover any labour costs involved.

**TradeLED Limited reserve the right to change this information at any time without notice.
Sample photograph, actual product not shown. Result achieved may vary.

www.tradeled.co.uk



SPECIFICATION

Product Code	FL30MBPWSMD	FL30MBWWSMD
LED Colour	6000K Cool White 	3000K Warm White 
Total Output Wattage	30 W	
LED Chip Brand	Sanan	
LED Type	SMD LED 2835	
Total Light Output	3600 lm	
Energy Efficiency	120 lm/W	
Body Colour	Black	
Body Material	Aluminium	
Glass Type	Clear	
IP Rating	IP65	
Product Dimensions	230 × 195 × 60 mm	
Cable Length	1000 mm	
Beam Angle	120 °	
LED Life	50,000 hours	
CRI	70	
Input Voltage	85 – 277 V _{AC}	
Frequency	50/60 Hz	
Working Temperature	-20 – 45 °C	
Power Supply	Mean Well LPC-35-1050	
Power Factor	0.9	
Net Weight	1.81 kg	
Gross Weight	1.86 kg	
Warranty	2 Years	

LIGHT PREVIEW



BRACKET ARM

Includes 4 × Coach Bolts.
Available in 500mm and 750mm sizes.

*Sold Separately

