



TRADELED

Floodlight



50W Osram DOB LED Floodlight

Models FL50WDSO-CW / FL30WDSO-WW

The 50W LED Floodlight is powered by Osram, using driverless LED technology, with a highly efficient light output of 130 Lumens Per Watt. The LED Floodlight is an ultra-slim and modern design with frosted glass and is highly suitable for both indoor and outdoor applications, rated IP66 against dust and water ingress.

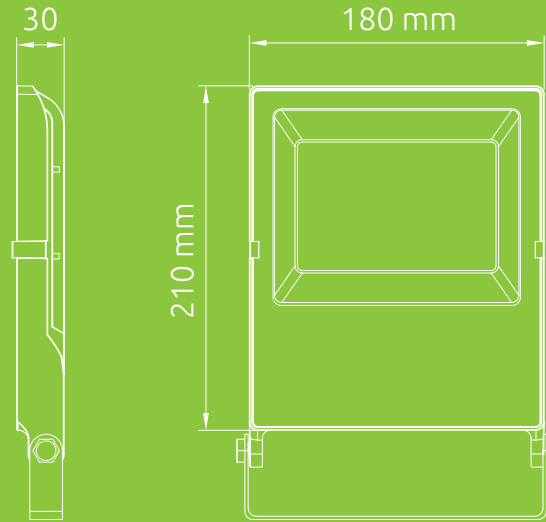
Osram LEDs
IP66 Waterproof
6500 Lumens Output
Up to 90% Power Saving
2 Year Warranty*



* Faulty units will be replaced under warranty, providing they are returned. The warranty does not cover any labour costs involved.

**TradeLED Limited reserve the right to change this information at any time without notice. Sample photograph, actual product not shown. Result achieved may vary.

www.tradeled.co.uk



SPECIFICATION

Product Code	FL50WDSO-CW	FL50WDSO-WW
LED Colour	6000K Cool White 	3000K Warm White 
Total Output Wattage	50 W	
LED Chip Brand	Osram	
LED Type	SMD LED 2835	
Total Light Output	6500 lm	
Energy Efficiency	130 lm/W	
Body Colour	Black	
Body Material	Aluminium	
Glass Type	Frosted	
IP Rating	IP66	
Product Dimensions	210 × 180 × 30 mm	
Cable Length	1000 mm	
Beam Angle	120 °	
LED Life	50,000 Hours	
CRI	80	
Input Voltage	220 – 240 V _{AC}	
Frequency	50/60 Hz	
Working Temperature	-20 – 45°C	
Power Supply	DOB	
Power Factor	0.9	
Net Weight	0.89 kg	
Gross Weight	0.92 kg	
Warranty	2 Years	

LIGHT PREVIEW



BRACKET ARM

Includes 4 × Coach Bolts.
Available in 500mm and 750mm sizes.

*Sold Separately

