



TRADELED

Floodlight



## 50W Pure White SMD LED

Model FL50MBPWSMD

Perfect for illuminating buildings, signage, billboards and large spaces. The 50W Warm White SMD LED Floodlight is a supreme quality, energy-efficient lighting solution with an output in excess of 6000 lumens. It is suitable for outdoor use thanks to the IP65 waterproof case and with a lifespan of up to 50,000 hours, maintenance is a thing of the past. The internal Mean Well power supply protects the Bridgelux LEDs from power surges.

IP65

2 year warranty\*

Bridgelux SMD LEDs

6000 Lumens output

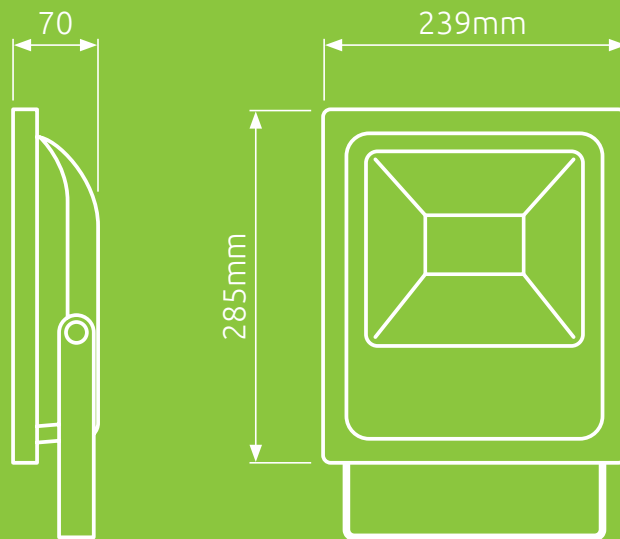
Up to 80% power saving

50,000 hours average lamp life

\* Faulty units will be replaced under warranty, providing they are returned. The warranty does not cover any labour costs involved.

\*\*TradeLED Limited reserve the right to change this information at any time without notice. Sample photograph, actual product not shown. Result achieved may vary.

[www.tradedled.co.uk](http://www.tradedled.co.uk)



## SPECIFICATION

Model	FL50MBPWSMD
Body Colour	Black
Colour Temperature	6000K
Product Dimensions	285×239×70mm
Cable Length	1000mm
Power Consumption	50W
Input Voltage	AC85-277V
Frequency	50/60Hz
Lumens per Watt	120Lm/W
Total Lumens Output	6000Lm
IP Rating	IP65
LEDs	Bridgelux SMD
PSU	Mean Well LPC-60-1400
Surge Protection	Yes
Beam Angle	120°
Box Dimensions	240×75×310mm
Gross Weight Per Unit	2.57kg
Net Weight Per Unit	2.47kg
Warranty	2 years

## LIGHT PREVIEW

