



TRADELED

Floodlight
RGB



30W RGB LED Floodlight with Memory Function

Model FL30WRGBM

The 30W RGB Colour Changing Floodlight is ideal for illuminating signage and buildings. Radio Frequency allows for up to 30 m operating distance. The memory function built-in enables the Floodlight to remember the colour or setting last used between uses. It is suitable for use both indoors and outdoors thanks to its IP65 rating. It is maintenance-free with a lifespan of up to 50,000 hours.

RGB LEDs
IP65 Waterproof
Radio Frequency
Memory Function
Up to 80% Power Saving
2 Year Warranty*

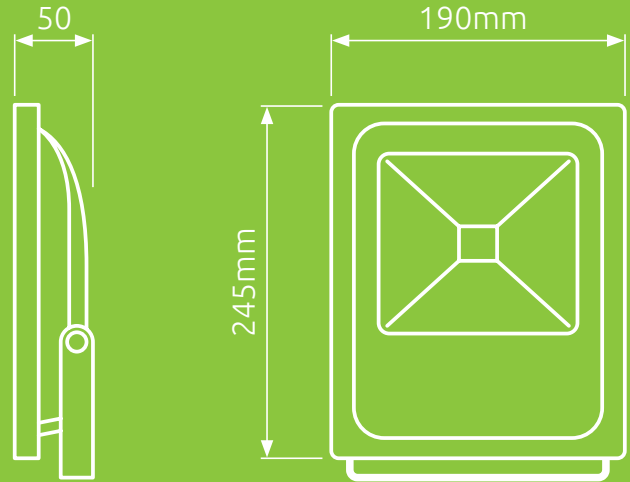


* Faulty units will be replaced under warranty, providing they are returned. The warranty does not cover any labour costs involved.
**TradeLED Limited reserve the right to change this information at any time without notice.
Sample photograph, actual product not shown. Result achieved may vary.

www.tradeled.co.uk

MAIN FEATURES

- IP65 Waterproof
- Up to 30 m operating distance
- Radio frequency remote included
- Memory function
- Up to 80% power saving
- 50,000 hours average lamp life
- 2 year warranty*



* Faulty units will be replaced under warranty, providing they are returned.

SPECIFICATION

Product Code	FL30WRGBM
LED Colour	RGB + 6000K Cool White
Total Output Wattage	30 W
LED Chip Brand	Epistar
LED Type	Integrated COB Chip
Total Light Output	2700 lm
Energy Efficiency	90 lm/W
Body Colour	Black
Body Material	Aluminium
Glass Type	Clear
IP Rating	IP65
Product Dimensions	190 × 245 × 50 mm
Cable Length	1000 mm
Beam Angle	120 °
LED Life	50,000 hours
Input Voltage	85 – 277 V _{AC}
Frequency	50/60 Hz
Working Temperature	-20 – 45 °C
Power Supply	Internal RGB driver/receiver
Power Factor	0.9
Net Weight	1.01 kg
Gross Weight	1.12 kg
Warranty	2 Years

LIGHT PREVIEW



REMOTE PREVIEW



BRACKET ARM

Includes 4 × Coach Bolts.
Available in 500mm and 750mm sizes.

*Sold Separately



*TradeLED Limited reserve the right to change this information at any time without notice.

www.tradeled.co.uk