

LED Ultra

LED Ultra uses the latest T8 LED Tube technology. Each tube incorporates its own built-in LED driver, replacing conventional fluorescent tubes. The LED Tubes are made from aluminium and polycarbonate. This provides strength and minimises risk of breakage in transit.



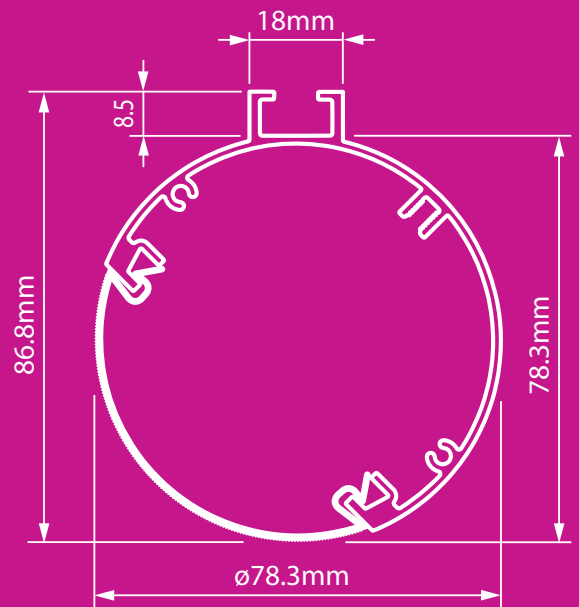
T8 LED Tubes
Built-in LED drivers
2 year parts warranty
Sections up to 6100mm
Manufactured to any length*

* Minimum 610mm (2ft). Sizes greater than 6100mm (20ft) will be supplied in two or more sections and will be joined by middle connector(s).

Sample photograph. Actual product shown. Result achieved may vary.

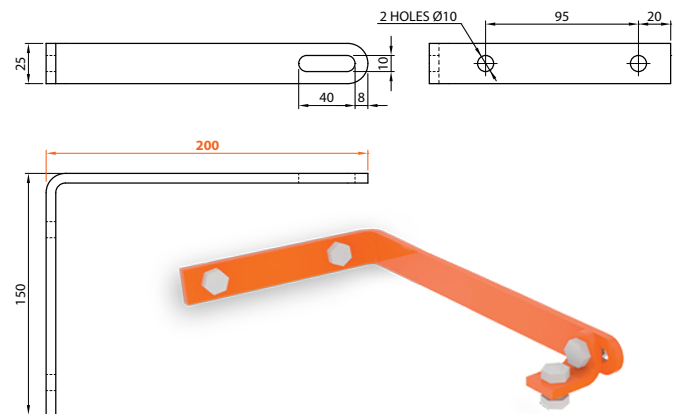
TECHNICAL SPECIFICATION

- Aluminium body
- Diameter: 79mm
- Length: Any size to nearest millimetre (460mm minimum – 6100mm maximum per section)
- UV Stabilised frosted polycarbonate lens
- High frequency electronic ballasts
- T8 LED Tubes (6000K cool white as standard, 3000K warm white available upon request)
- Supplied with 200mm adjustable steel brackets
- 2 year parts warranty
- Sealed to IP64



STANDARD BRACKETS

Can be powder coated to RAL/BS colours on request. LED Ultra is supplied with our standard 200mm adjustable steel brackets, ideal for wall fixing and providing up to one metre depth of illumination. For larger signage these brackets are also available in different sizes upon request. Approximately one bracket per meter of trough light is provided and powder coated to match. Alternative brackets are available if necessary, to suit various fixing requirements. Such as our flat twisted brackets for fixing to the top of a sign tray.



T8 LED TUBE COOL WHITE

These T8 LED TUBES have got 70~80% energy saving over fluorescent tubes, shock/Vibration resistant aluminium and polycarbonate case, instant soft start. Epistar LEDs and 2 Year parts only warranty.



STOCK COLOURS



white
RAL 9003



black
RAL 9005



yellow
RAL 1023



red
RAL 3020



blue
RAL 5002



grey
RAL 7043



silver
RAL 9006

LED Ultra is available in a variety of stock colours (black/white gloss finish included at no extra cost). We can also powder coat to non-stock RAL colours in various finishes. Prices available on request.